

# **IFAX** Product Detail

Multi**IFAX**

## WHAT'S IN THE BOX ?

Do you want to look now?

YES - See it

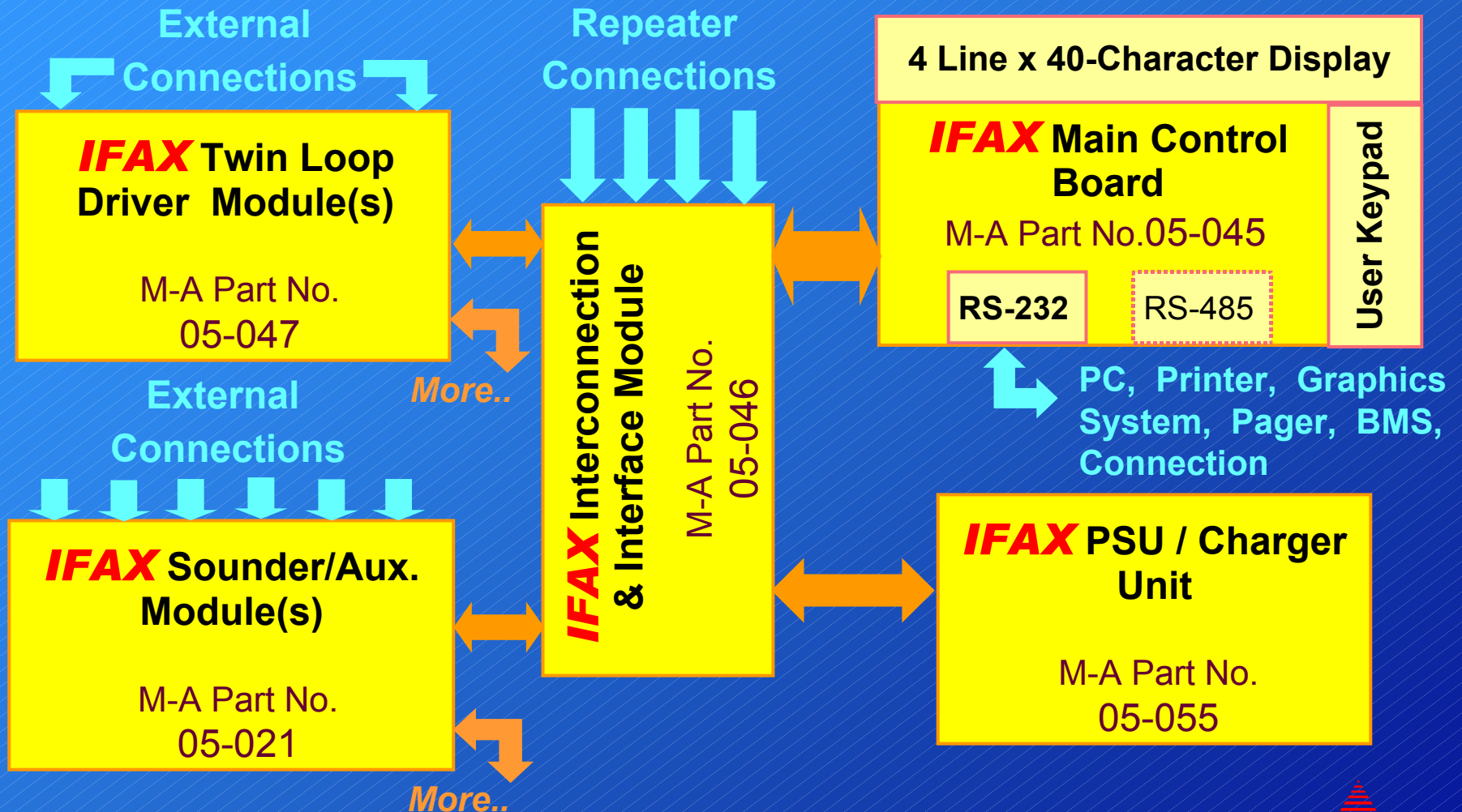
NO - Skip it



# **MULTI ALARM**



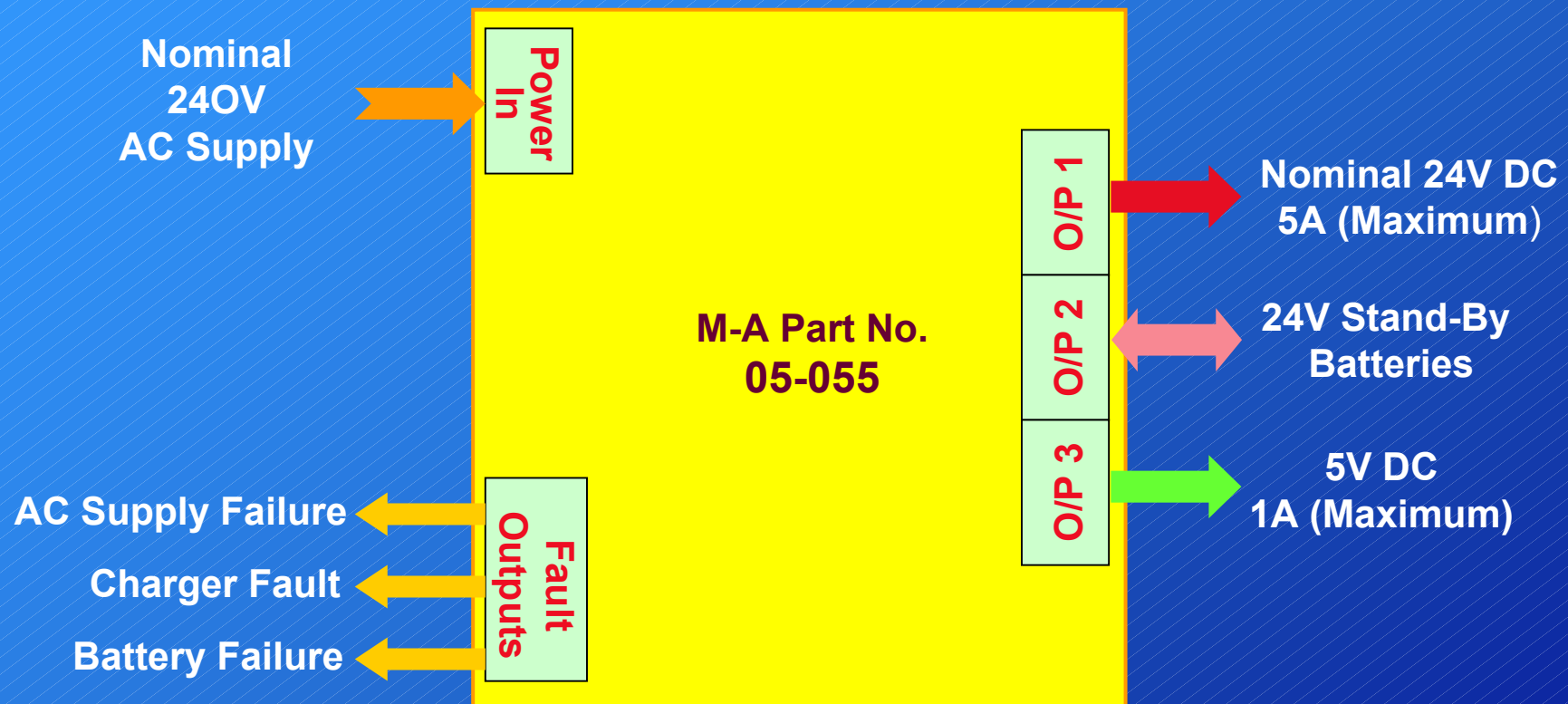
# Multi **IFAX** Control Panel Block



# MULTI ALARM



# Multi **IFAX** PSU / Charger Unit



## **MULTI ALARM**



# Multi **IFAX** PSU / Charger Unit

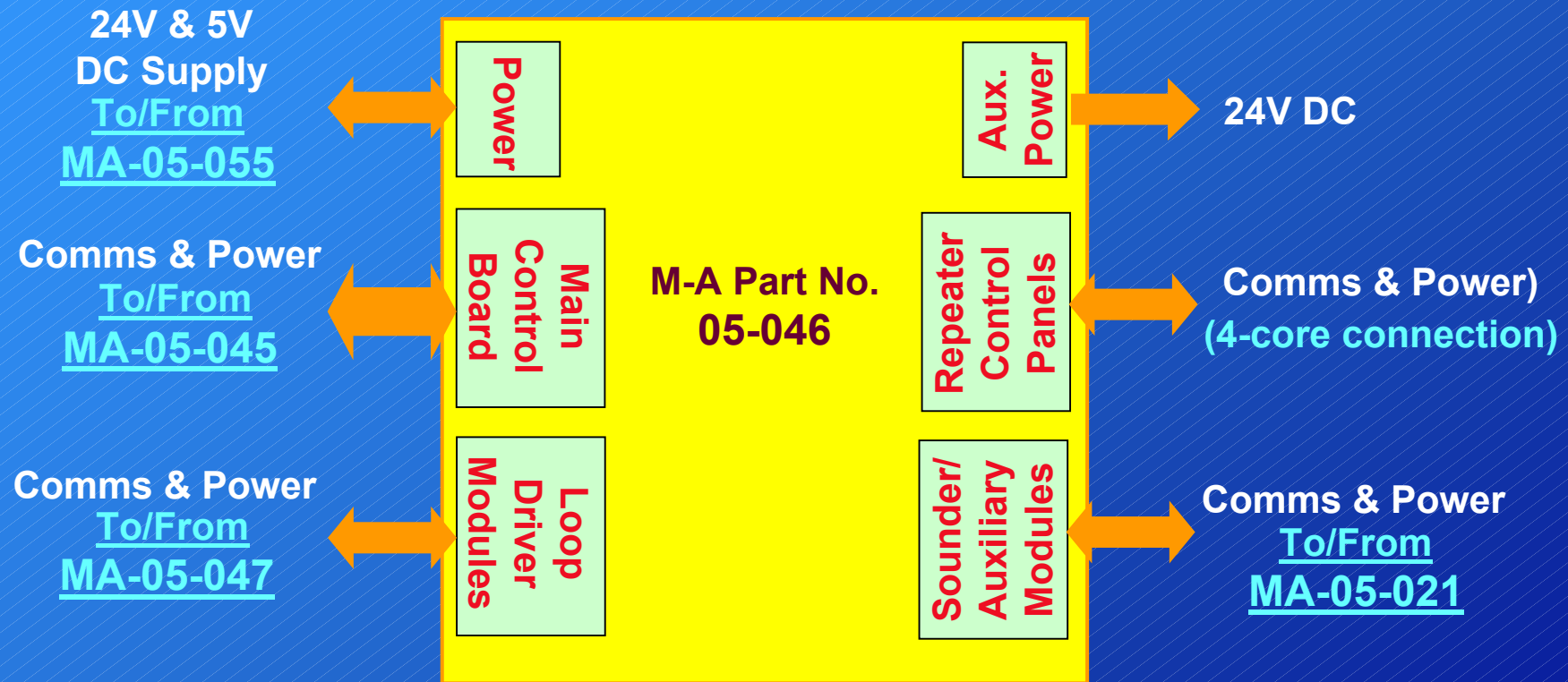
- Fully Protected And Regulated Outputs -
  1. *Nominal 24V DC at 5A*
  2. *Stand-By Battery Supply*
  3. *5V DC at 1A*
- Fault Outputs -
  1. *Charger Fault (Low Output Voltage)*
  2. *Battery Failure (Disconnected/Low Voltage)*
  3. *AC Supply Failure.*



**MULTI ALARM**



# Multi **IFAX** Interconnection & Interface Module



## **MULTI ALARM**



# Multi **IFAX** Interconnection & Interface Module

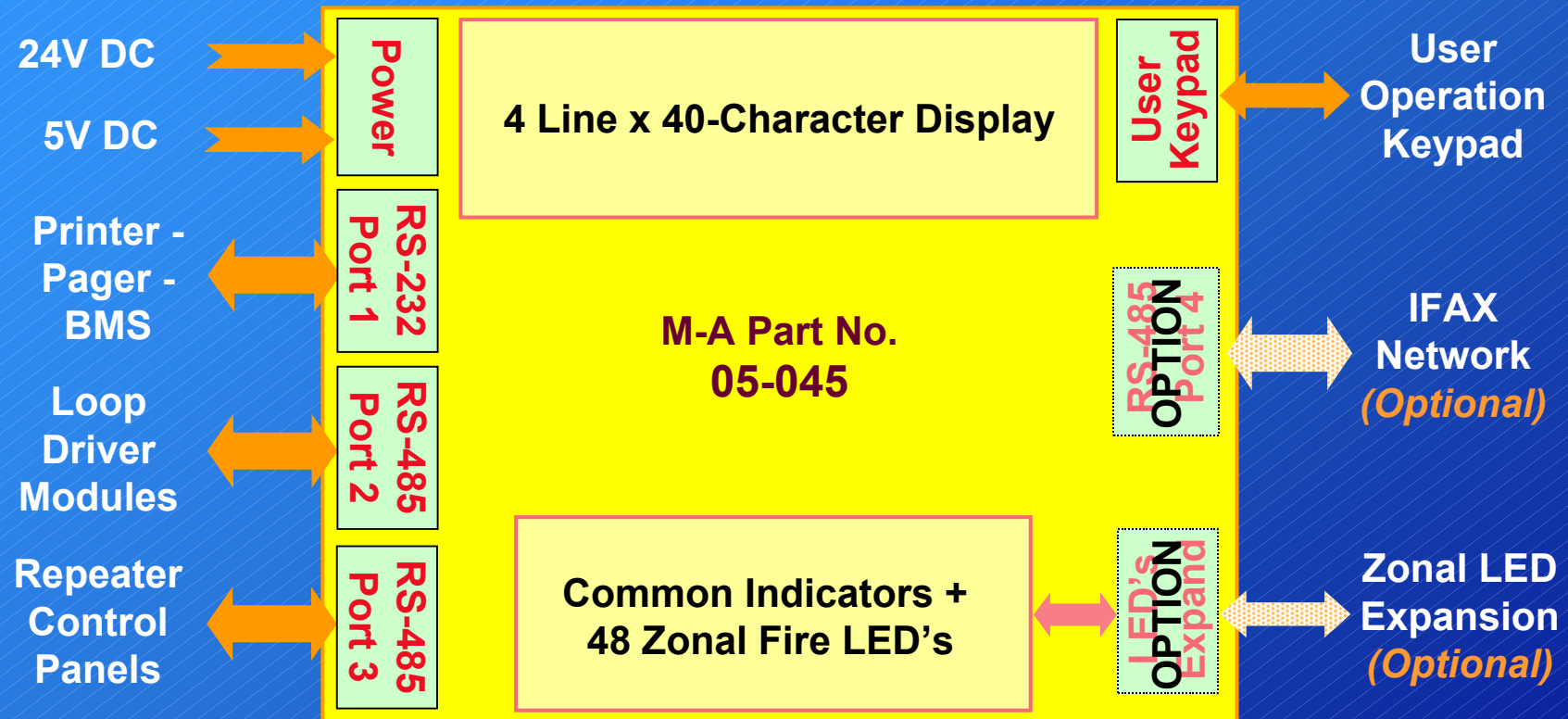
- Common Interconnection Point For IFAX Modules
- Also Provides Terminals For -
  1. **IFAX** Repeater/Control Panels (4-Core Link)
  2. 24V Auxiliary Supply



**MULTI ALARM**



# Multi **IFAX** Main Control Board



# MULTI ALARM



# Multi **IFAX** Main Control Board

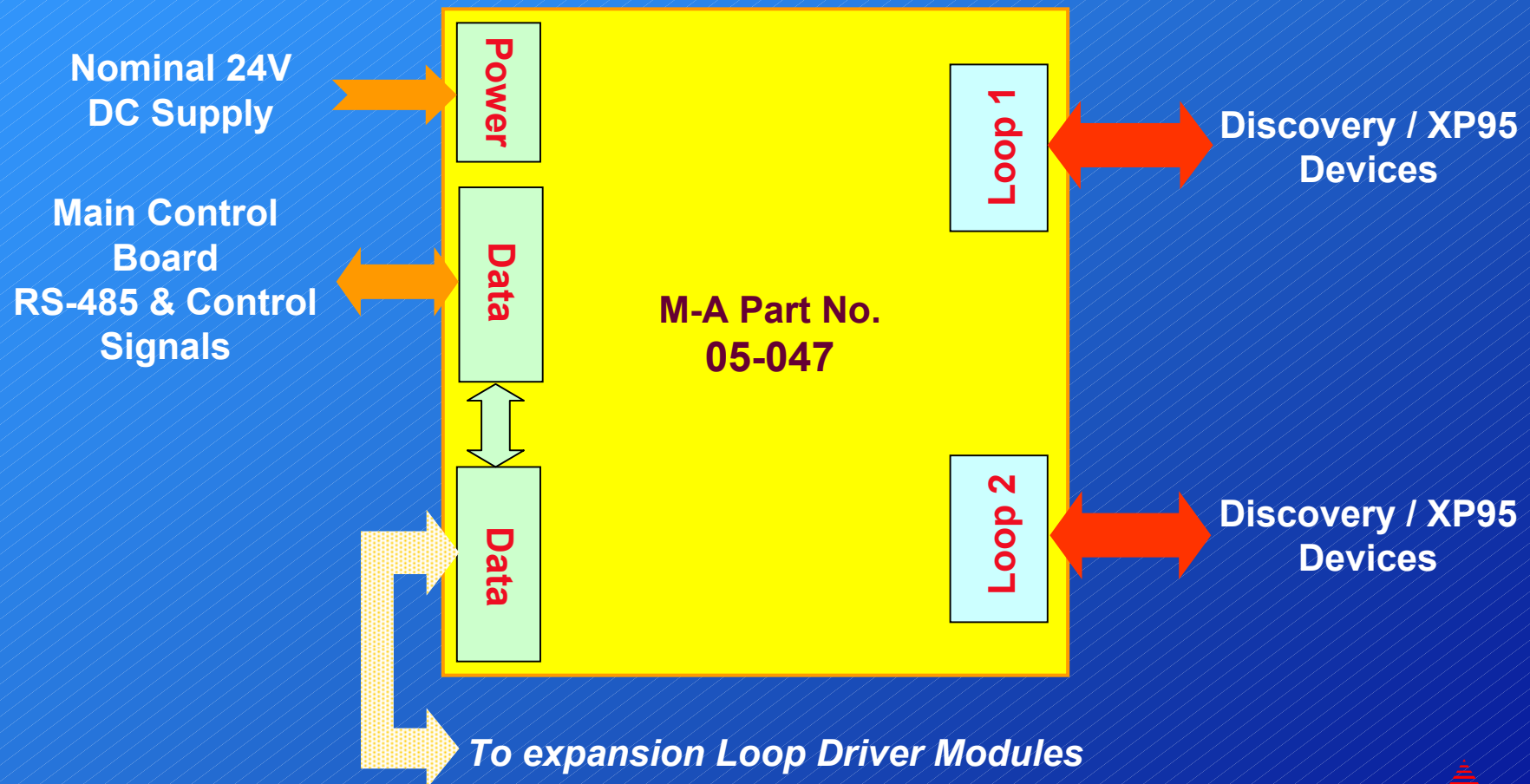
- 4 Line x 40-Character Text Display
- 48 Individual Zonal Fire LED's - *Can be externally expanded to 240*
- ESD Protected Communication Ports -
  1. *RS-232 - Printer / Pager / BMS Comms*
  2. *RS-485 - Loop Driver Comms*
  3. *RS-485 - Repeater Comms*
  4. *RS-485 - IFAX Network Comms (optional)*



**MULTI ALARM**



# Multi **IFAX** Loop Driver Module



## **MULTI ALARM**



# Multi **IFAX** Loop Driver Module

- Can supply continuous loads of 1A per loop
- Completes all pre-processing of sensor conditions
- Full open-circuit, short-circuit and earth fault protection
- ‘Standalone’ operation mode on loss of communication with main control board



**MULTI ALARM**



# Multi**IFAX** Loop Driver Module

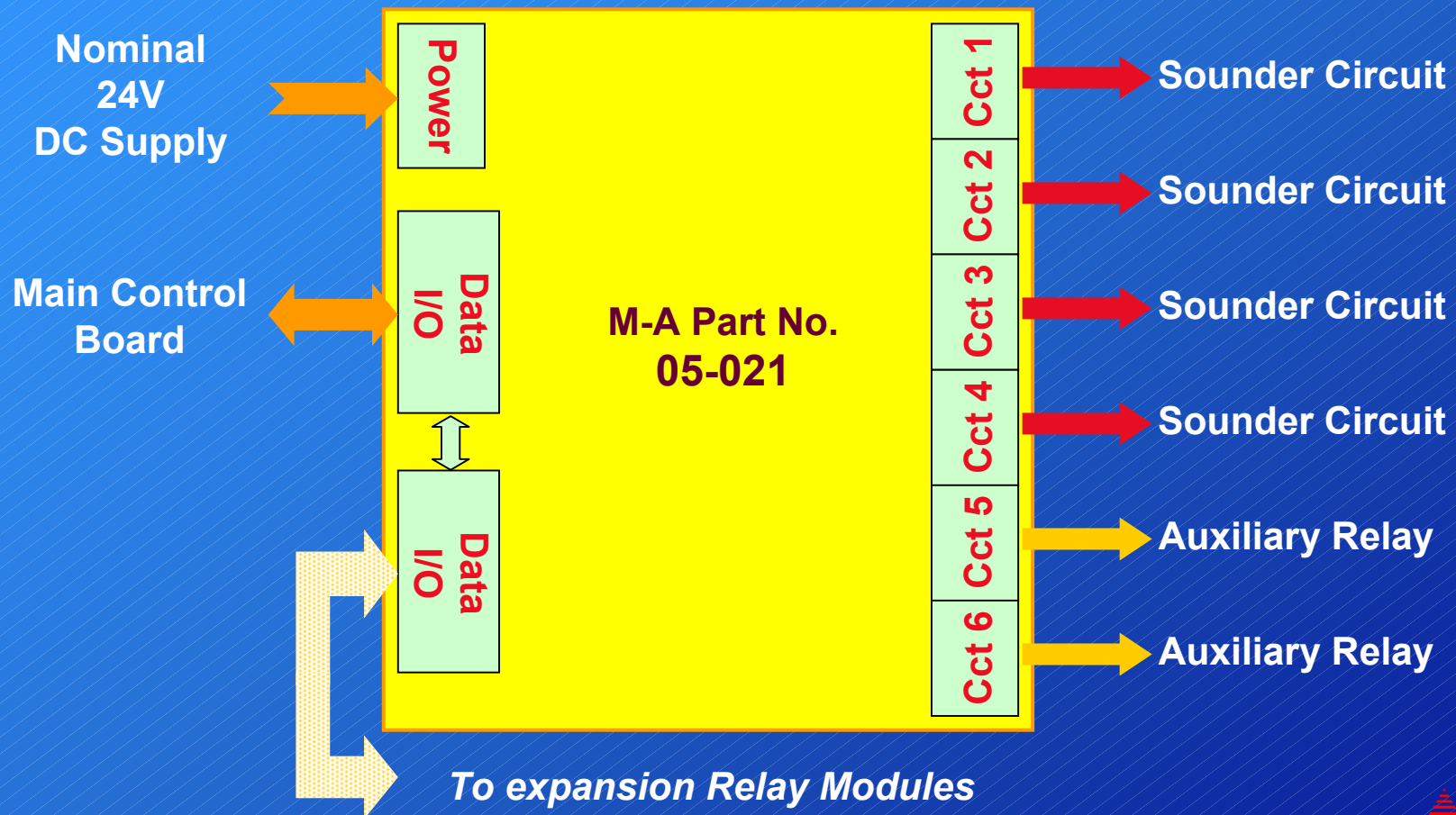
- Can operate 126 alarm sounders and 100 detectors per loop
- Each sounder operation programmable in configuration data
- Intelligent detector polling + verification algorithms minimise unwanted alarms
- Continuously monitors loop data comms quality and reports corruption



**MULTI ALARM**



# Multi **IFAX** Sounder/Aux.Module



# MULTI ALARM



# Multi **IFAX** Sounder/Aux.Module

- 4 Programmable Fully Monitored Sounder Circuits
- 2 Programmable Auxiliary Relays
- Modules Can Be Simply 'Daisy-Chained' As Required



**MULTI ALARM**



# **IFAX** Product Detail

## **IFAX** Repeater



**MULTI ALARM**



# **IFAX** Repeater Features

- Provides All **IFAX** Indication & Control Facilities
- RS-232 Port For Local Printer (Optional)
- 4-Core Interconnection (Including Power)
- Up To 32 Repeaters Can Be Fitted
- Surface And Flush-Mounting Models Available



**MULTI ALARM**

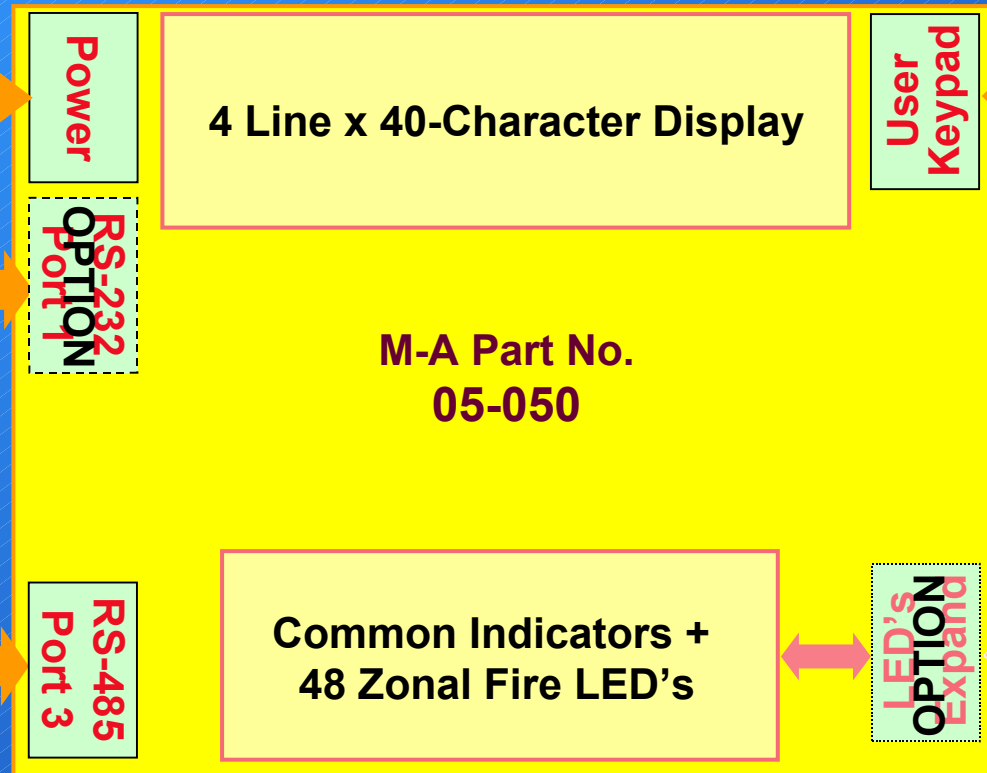


# IFAX Repeater Control Board

12 - 28V  
DC Supply  
(2-Cores)

Local  
Printer  
Interface  
*(Optional)*

**IFAX**  
Control  
Panel  
(2-Cores)



User  
Operation  
Keypad

Zonal LED  
Expansion  
*(Optional)*



## MULTI ALARM



# **IFAX** Product Detail

**IFAX** *OnSite*



***MULTI ALARM***



# **IFAX** *OnSite* Features

- **Powerful Windows Based Configuration Program**
- **Fully Supported With 1200 Pages of On-Line Context Sensitive Help**
- **Simplified Working Windows Guarantee Ease Of Use**
- **Allows Ultimate Cause & Effect Definition**



***MULTI ALARM***



# **IFAX** *OnSite* Features

- Enables Full Customisation Of System Operation To Provide Ideal System User Facilities
- Allows Definition and Total Control of All Discovery Detector Features
- **SOFTWARE IS OPENLY AVAILABLE TO TRAINED END USERS**



***MULTI ALARM***



# **IFAX** Product Detail

**IFAX** Network



**MULTI ALARM**



# **IFAX** *Network* Features

- **True Peer-to-Peer 'Seamless' Network**  
Ideal for large building complexes and campus style environments  
Provides flexible distribution and co-ordination of system control
- **32,256 Addressable Points, 1,536 Fire Zone Capacity**



***MULTI ALARM***



# **IFAX** *Network* Features

- **High Integrity Communication**  
Allows safety critical actions to be passed across the network from one **IFAX** unit to others  
Enables use of standard fire resistant cable between Stations
- **Maximum Network Fault Tolerance**  
Loss of one or more Stations does not affect the operation of the the remainder of the network

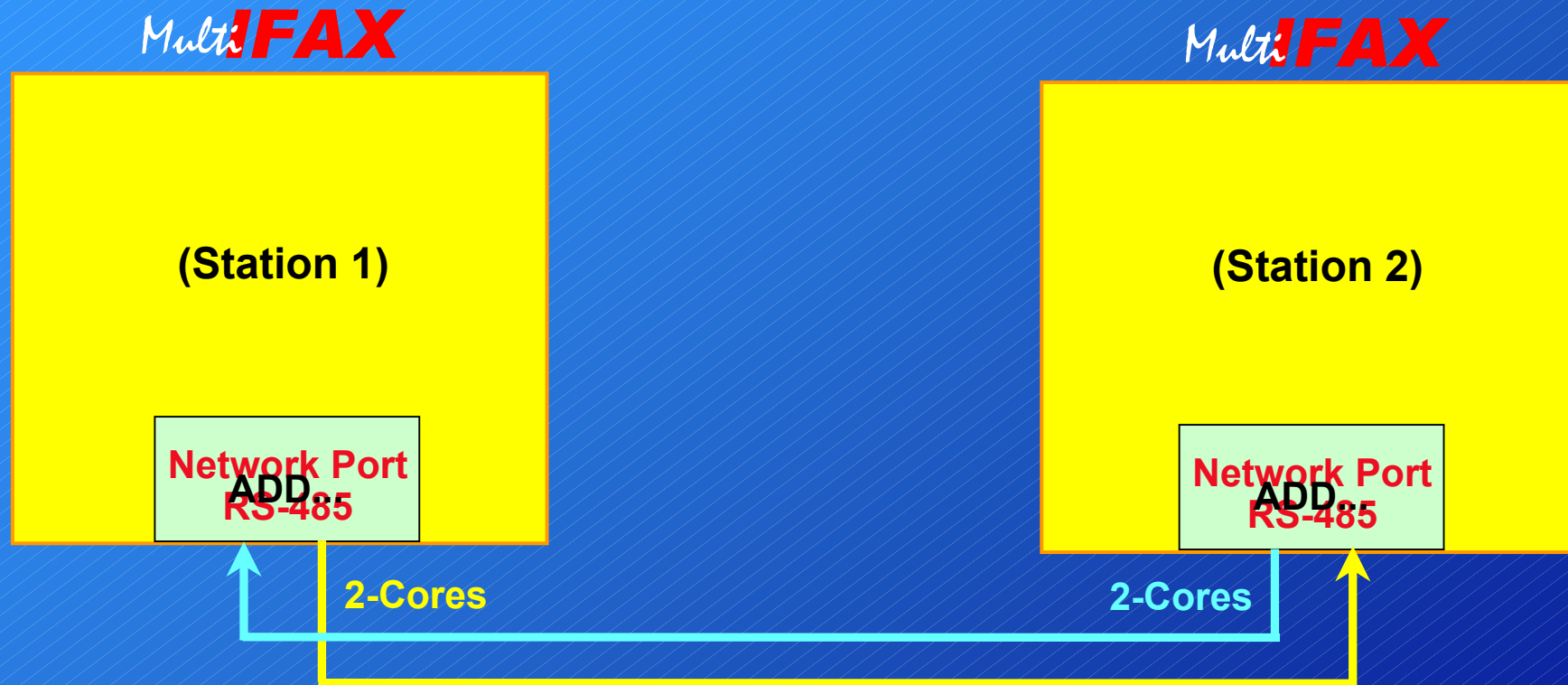


***MULTI ALARM***



# **IFAX** Network Block Diagram

## 2-Station Network

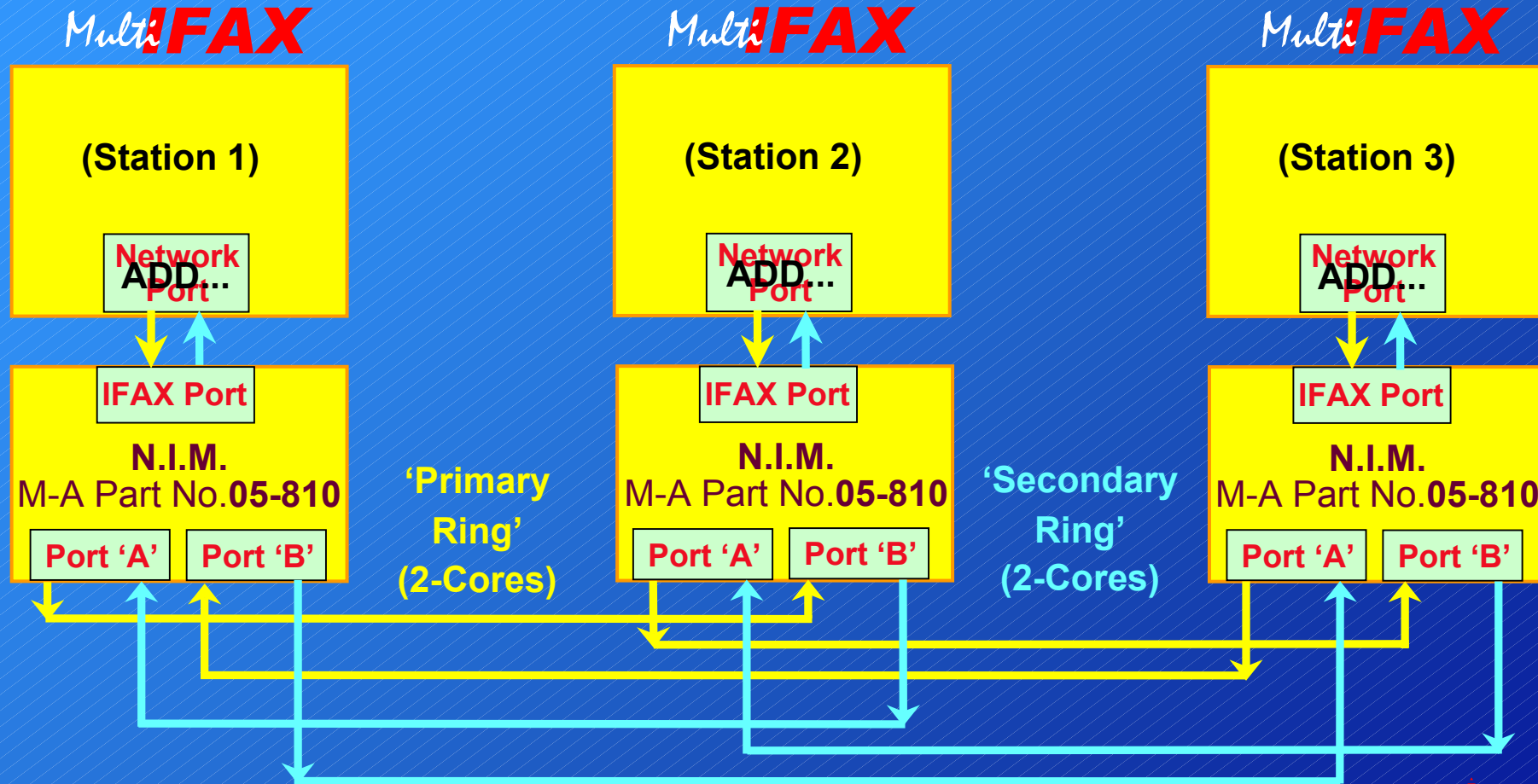


**MULTI ALARM**



# IFAX Network Block Diagram

## Multi-Station Network



**MULTI ALARM**

